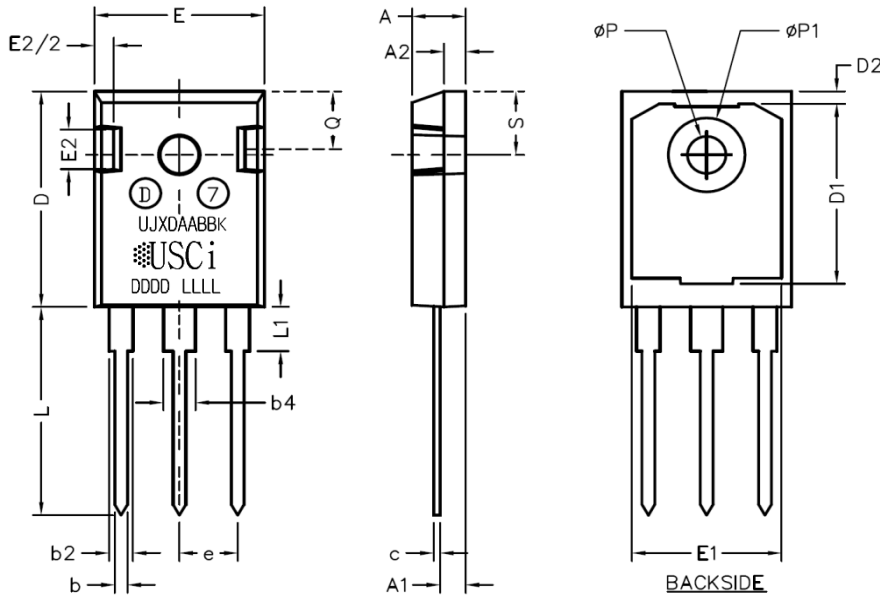


**TO-247-3L OUTLINE**



ALL DIMENSIONS IN INCH

Symbols	Min	Nom	Max
A	.193	.198	.203
A1	.090	.095	.100
A2	.073	.078	.083
b	.042	.047	.052
b2	.075	.080	.094
b4	.113	.118	.133
c	.022	.024	.027
D	.820	.825	.830
D1	.684	.690	.696
D2	.042	.047	.052
E	.621	.626	.631
E1	.547	.552	.557
E2	.135	.146	.157
E2/2	.081	.088	.095
e	.215 BSC		
L	.789	.794	.799
L1	.164	.170	.176
$\phi P$	.140	.142	.144
$\phi P1$	.278	.283	.288
Q	.216	.221	.226
S	.238	.243	.248

**PART MARKING**

UJXDAABBK



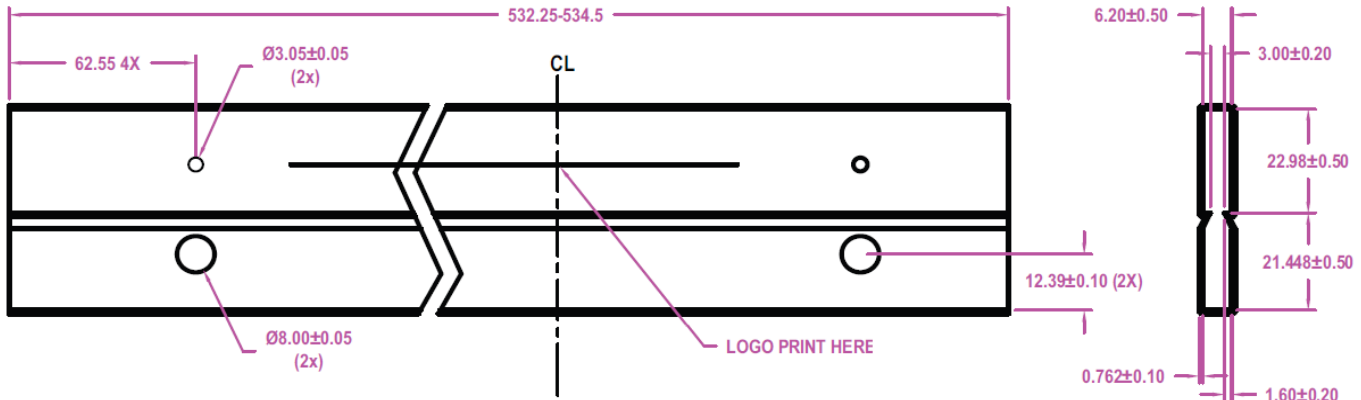
DDDD LLLL

U=USCi  
JXD=DIODE  
X=GENERATION  
AA=VOLTAGE RATING  
BB=CURRENT RATING  
K= TO-247

DDDD=DATE CODE

LLLL=LOT CODE

**TO-247 TUBE OUTLINE**



Unit: mm  
30 units per tube

**Disclaimer**

United Silicon Carbide, Inc. reserves the right to change or modify any of the products and their inherent physical and technical specifications without prior notice. United Silicon Carbide, Inc. assumes no responsibility or liability for any errors or inaccuracies within.

Information on all products and contained herein is intended for description only. No license, express or implied, to any intellectual property rights is granted within this document.

United Silicon Carbide, Inc. assumes no liability whatsoever relating to the choice, selection or use of the United Silicon Carbide, Inc. products and services described herein.