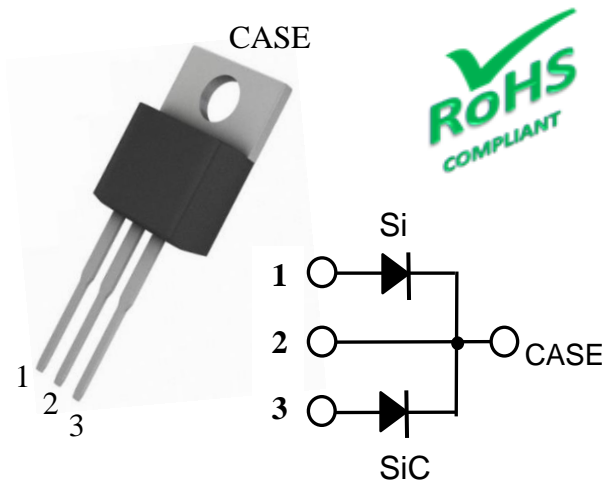


Features

- Co-packaged surge bypass diode
- 175°C SiC maximum operating junction temperature
- Extremely fast switching not dependent on temperature
- Essentially no reverse or forward recovery
- Positive temperature coefficient for safe operation and ease of paralleling
- RoHS compliant



Typical Applications

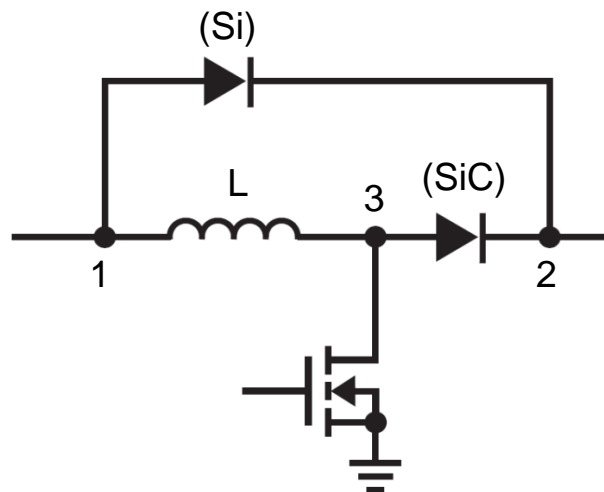
- Power converters
- Switching-mode power supplies
- Power factor correction modules

Part Number	Package	Marking
UJDS06506T	TO-220-3	UJDS06506T

Descriptions

United Silicon Carbide, Inc offers the xR series of high-performance SiC Schottky diodes. With zero reverse recovery charge and 175°C maximum junction temperature, USCI's diodes are ideally suited for high-frequency and high-efficiency power systems with minimum cooling requirements. This product co-packages a surge bypass silicon diode to reduce component count in PFC circuits.

Typical Connection in a PFC Circuit



Maximum Ratings

SiC Schottky Diode

Parameter	Symbol	Test Conditions	Value	Units
DC Blocking Voltage	V_{DC}		650	V
Repetitive Peak Reverse Voltage, $T_j=25^\circ\text{C}$	V_{RRM}		650	V
Surge Peak Reverse Voltage	V_{RSM}		650	V
Maximum DC Forward Current	I_F	$T_C = 132^\circ\text{C}$	6	A
Non-Repetitive Forward Surge Current	I_{FSM}	$T_C = 25^\circ\text{C}$, 8.3ms Half Sine Pulse	33	A
Non-Repetitive Peak Forward Current	$I_{F,max}$	$T_C = 25^\circ\text{C}$, 10 μs	310	A
Non-Repetitive Avalanche Energy	E_{AS}	$T_j = 25^\circ\text{C}$, $L = 5\text{mH}$, $I_{pk}=5.5\text{A}$, $V_{DD}=100\text{V}$	50	mJ
Power Dissipation	P_{Tot}	$T_C = 25^\circ\text{C}$	46	W
		$T_C = 132^\circ\text{C}$	13	
Maximum Junction Temperature	$T_{J,max}$		175	$^\circ\text{C}$
Operating and Storage Temperature	T_j, T_{STG}		-55 to 175	$^\circ\text{C}$

Si Diode

Parameter	Symbol	Test Conditions	Value	Units
DC Blocking Voltage	V_{DC}		600	V
Repetitive Peak Reverse Voltage, $T_j=25^\circ\text{C}$	V_{RRM}		600	V
Surge Peak Reverse Voltage	V_{RSM}		600	V
Maximum DC Forward Current	I_F	$T_C = 150^\circ\text{C}$	10	A
Non-Repetitive Forward Surge Current	I_{FSM}	$T_C = 25^\circ\text{C}$, 8.3ms Half Sine Pulse	100	A
Non-Repetitive Peak Forward Current	$I_{F,max}$	$T_C = 25^\circ\text{C}$, 10 μs	750	A
Power Dissipation	P_{Tot}	$T_C = 25^\circ\text{C}$	107	W
		$T_C = 150^\circ\text{C}$	17	
Maximum Junction Temperature	$T_{J,max}$		175	$^\circ\text{C}$
Operating and Storage Temperature	T_j, T_{STG}		-55 to 175	$^\circ\text{C}$

Thermal Characteristics

Parameter	symbol	Component	Value			Units
			Min	Typ	Max	
Thermal Resistance	$R_{\theta JC}$	SiC Diode			3.2	$^\circ\text{C}/\text{W}$
Thermal Resistance	$R_{\theta JC}$	Si Diode			1.4	$^\circ\text{C}/\text{W}$

Electrical Characteristics

SiC Schottky Diode ($T_J = +25^\circ\text{C}$ unless otherwise specified)

Parameter	Symbol	Test Conditions	Value			Units
			Min	Typ	Max	
Forward Voltage	V_F	$I_F = 6\text{A}, T_J = 25^\circ\text{C}$	-	1.5	1.7	V
		$I_F = 6\text{A}, T_J = 150^\circ\text{C}$	-	1.8	2.1	
		$I_F = 6\text{A}, T_J = 175^\circ\text{C}$	-	2	2.25	
Reverse Current	I_R	$V_R = 650\text{V}, T_J = 25^\circ\text{C}$	-	15	200	μA
		$V_R = 650\text{V}, T_J = 175^\circ\text{C}$	-	30	640	
Total Capacitive Charge	Q_C	$V_R = 400\text{V}, I_F = 6\text{A},$ $di/dt = 250\text{A}/\mu\text{s}$		9		nC
Total Capacitance	C	$V_R = 1\text{V}, f = 1\text{MHz}$		179		pF
		$V_R = 300\text{V}, f = 1\text{MHz}$		21		
		$V_R = 600\text{V}, f = 1\text{MHz}$		18		

Si Diode ($T_J = +25^\circ\text{C}$ unless otherwise specified)

Parameter	Symbol	Test Conditions	Value			Units
			Min	Typ	Max	
Forward Voltage	V_F	$I_F = 10\text{A}, T_J = 25^\circ\text{C}$	-	1.4	-	V
		$I_F = 10\text{A}, T_J = 150^\circ\text{C}$	-	1.16	1.38	
		$I_F = 10\text{A}, T_J = 175^\circ\text{C}$	-	1.12	1.34	
Reverse Current	I_R	$V_R = 600\text{V}, T_J = 25^\circ\text{C}$	-	-	10	μA
		$V_R = 600\text{V}, T_J = 150^\circ\text{C}$	-	-	250	
Reverse Recovery Time	t_{rr}	$V_R = 30\text{V}, I_F = 1\text{A},$ $di/dt = 50\text{A}/\mu\text{s},$ Ramp Recovery	-	-	75	ns
		$V_R = 30\text{V}, I_F = 1\text{A},$ $di/dt = 100\text{A}/\mu\text{s},$ Ramp Recovery	-	35	-	

Typical Performance
SiC Schottky Diode

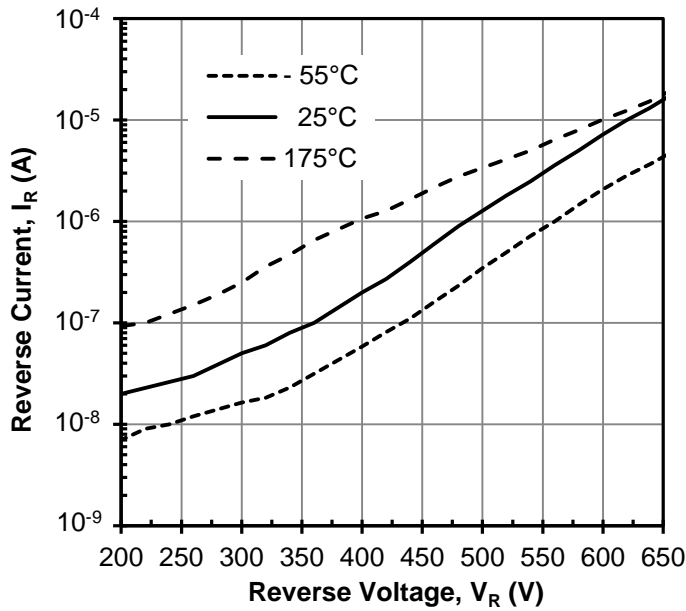


Figure 1 Typical reverse characteristics

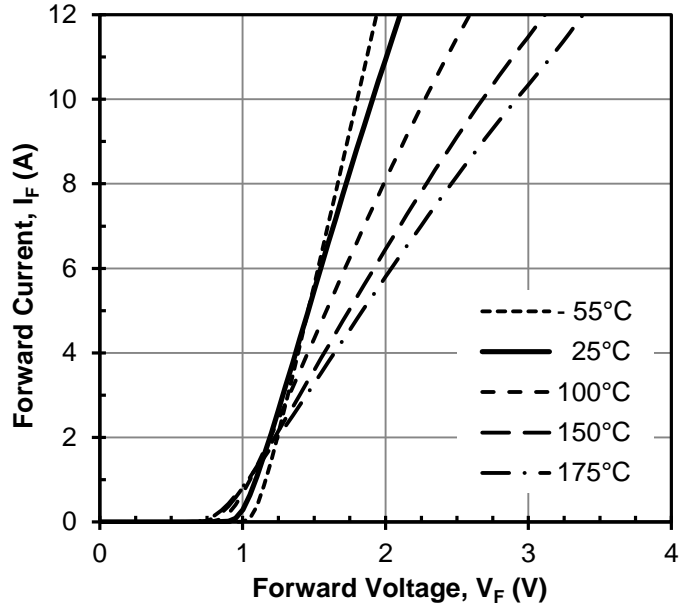


Figure 2 Typical forward characteristics

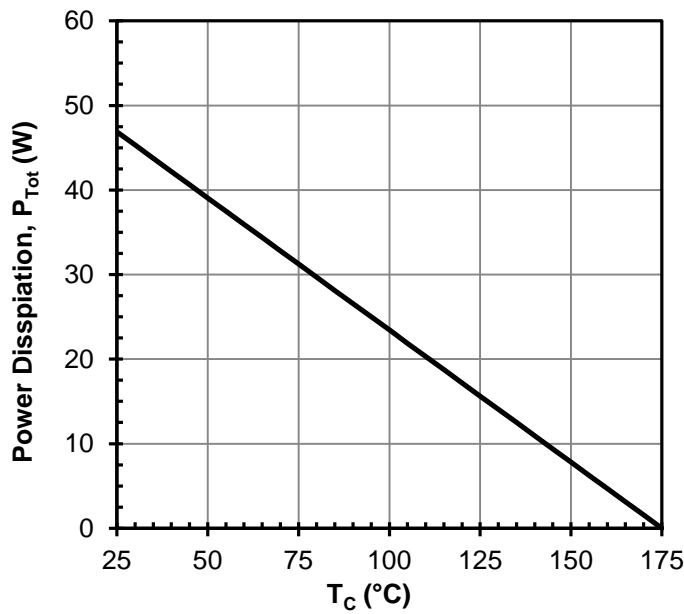


Figure 3 Power dissipation

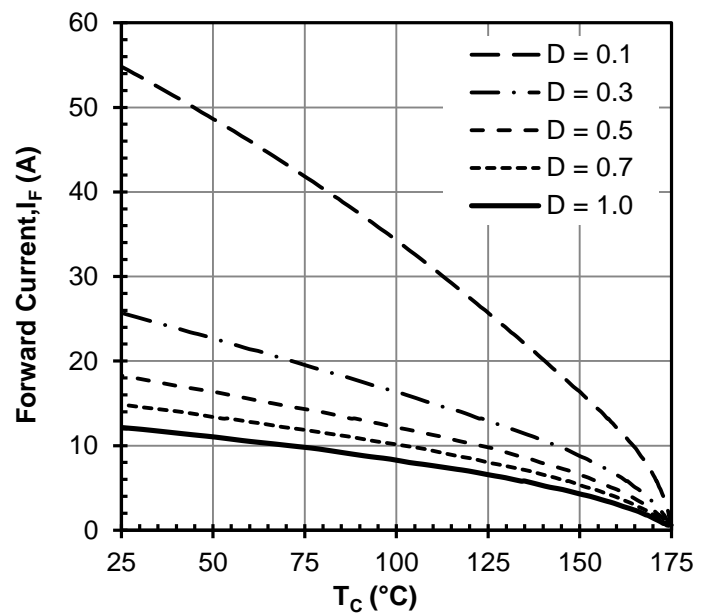


Figure 4 Diode forward current

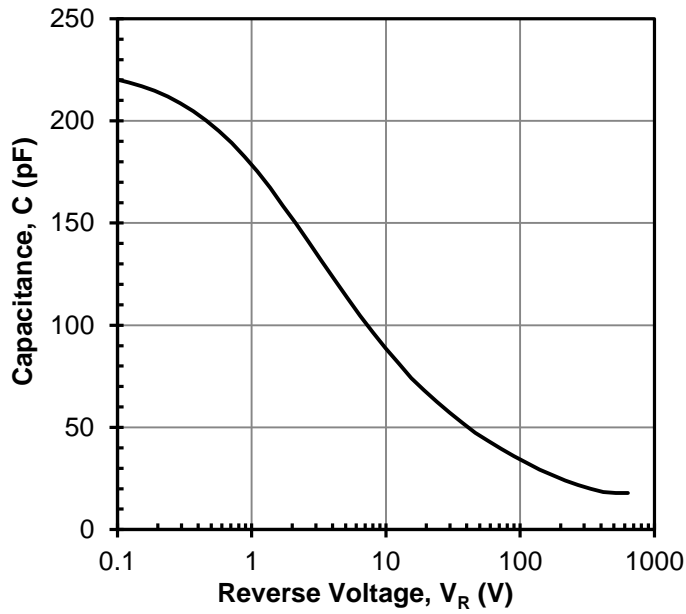


Figure 5 Capacitance vs. reverse voltage

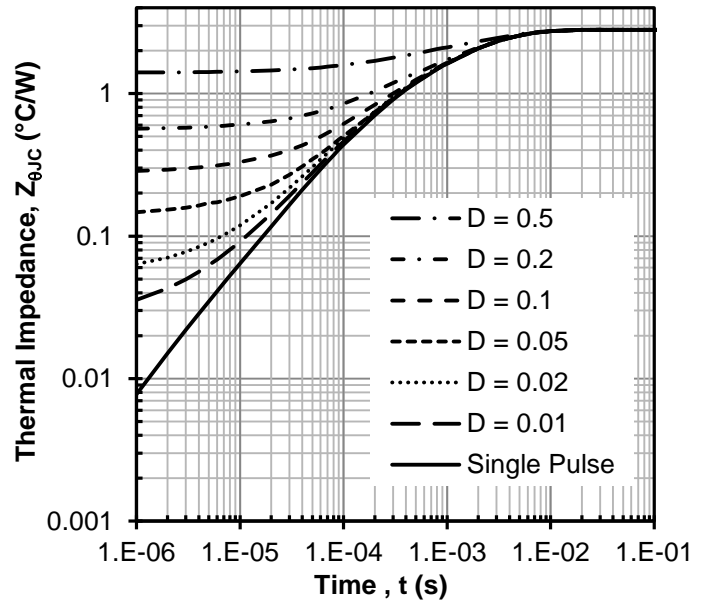


Figure 6 Transient thermal impedance

Si Diode

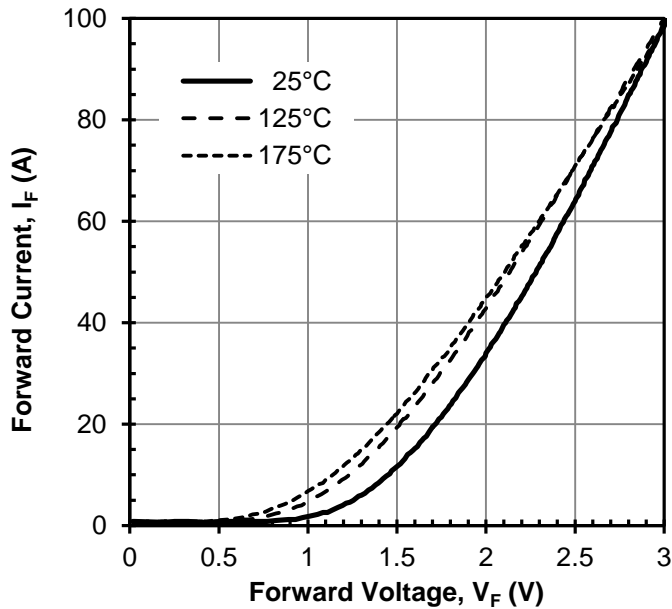
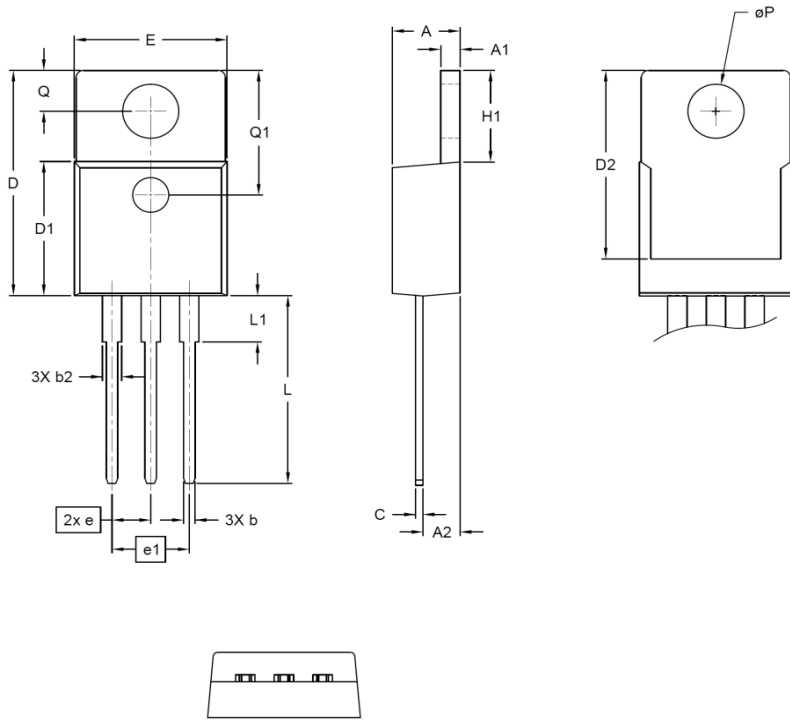


Figure 7 Typical forward characteristics

Mechanical Characteristics



	INCH			MILLIMETER		
	MIN	NOM	MAX	MIN	NOM	MAX
A	.140	.175	.190	3.56	4.45	4.83
A1	.020	.050	.055	0.51	1.27	1.40
A2	.080	.096	.115	2.03	2.44	2.92
b	.015	.030	.040	0.38	7.62	1.02
b2	.040	.050	.070	1.02	1.27	1.78
C	.014	.019	.030	0.36	0.48	0.76
D	.560	.605	.650	14.22	15.37	16.51
D1	.330	.360	.370	8.38	9.14	9.40
D2	.480	.507	.517	12.19	12.88	13.13
E	.380	.386	.420	9.65	9.80	10.67
e	.100 BSC.			2.54 BSC.		
e1	.200 BSC.			5.08 BSC.		
L	.495	.505	.580	12.57	12.82	14.73
L1	---	.125	.250	---	3.18	6.35
ØP	.139	.145	.161	3.53	3.68	4.09
H1	.230	.245	.270	5.84	6.22	6.86
Q	.100	.110	.135	2.54	2.79	3.43
Q1	.330	.335	.340	8.38	8.51	8.64

Disclaimer

United Silicon Carbide, Inc. reserves the right to change or modify any of the products and their inherent physical and technical specifications without prior notice. United Silicon Carbide, Inc. assumes no responsibility or liability for any errors or inaccuracies within.

Information on all products and contained herein is intended for description only. No license, express or implied, to any intellectual property rights is granted within this document.

United Silicon Carbide, Inc. assumes no liability whatsoever relating to the choice, selection or use of the United Silicon Carbide, Inc. products and services described herein.