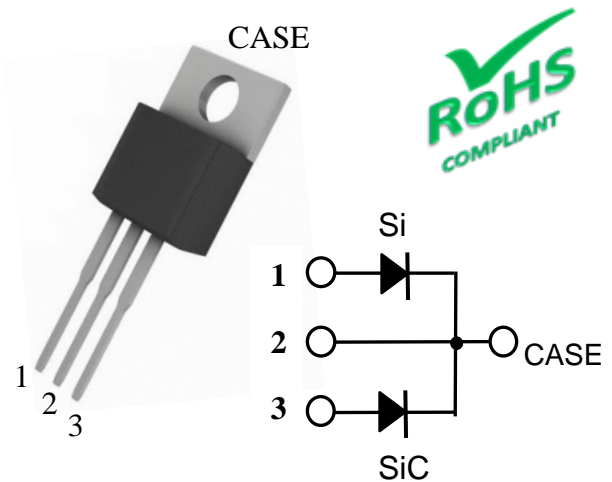


### Features

- Co-packaged surge bypass diode
- 175°C SiC maximum operating junction temperature
- Extremely fast switching not dependent on temperature
- Essentially no reverse or forward recovery
- Positive temperature coefficient for safe operation and ease of paralleling
- RoHS compliant

### Typical Applications

- Power converters
- Switching-mode power supplies
- Power factor correction modules

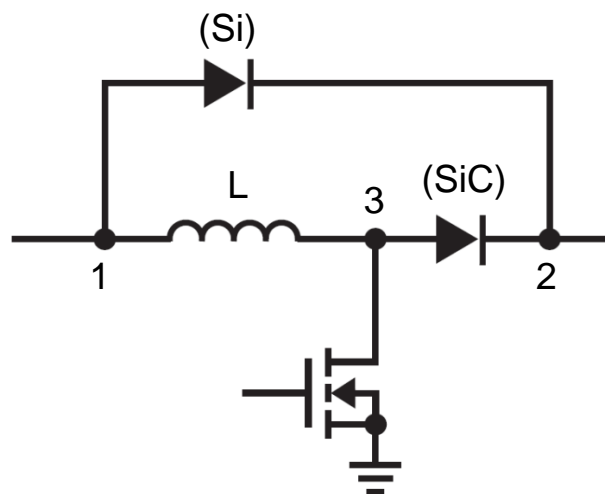


Part Number	Package	Marking
<b>UJDS06510T</b>	<b>TO-220-3</b>	<b>UJDS06510T</b>

### Descriptions

United Silicon Carbide, Inc offers the xR series of high-performance SiC Schottky diodes. With zero reverse recovery charge and 175°C maximum junction temperature, USCI's diodes are ideally suited for high-frequency and high-efficiency power systems with minimum cooling requirements. This product co-packages a surge bypass silicon diode to reduce component count in PFC circuits.

### Typical Connection in a PFC Circuit



## Maximum Ratings

### SiC Schottky Diode

Parameter	Symbol	Test Conditions	Value	Units
DC Blocking Voltage	$V_{DC}$		650	V
Repetitive Peak Reverse Voltage, $T_j=25^\circ\text{C}$	$V_{RRM}$		650	V
Surge Peak Reverse Voltage	$V_{RSM}$		650	V
Maximum DC Forward Current	$I_F$	$T_C = 138^\circ\text{C}$	10	A
Non-Repetitive Forward Surge Current	$I_{FSM}$	$T_C = 25^\circ\text{C}$ , 8.3ms Half Sine Pulse	50	A
Non-Repetitive Peak Forward Current	$I_{F,max}$	$T_C = 25^\circ\text{C}$ , 10 $\mu\text{s}$	455	A
Non-Repetitive Avalanche Energy	$E_{AS}$	$T_j = 25^\circ\text{C}$ , $L = 5\text{mH}$ , $I_{pk}=5.5\text{A}$ , $V_{DD}=100\text{V}$	84	mJ
Power Dissipation	$P_{Tot}$	$T_C = 25^\circ\text{C}$	93	W
		$T_C = 138^\circ\text{C}$	23	
Maximum Junction Temperature	$T_{J,max}$		175	$^\circ\text{C}$
Operating and Storage Temperature	$T_j, T_{STG}$		-55 to 175	$^\circ\text{C}$

### Si Diode

Parameter	Symbol	Test Conditions	Value	Units
DC Blocking Voltage	$V_{DC}$		600	V
Repetitive Peak Reverse Voltage, $T_j=25^\circ\text{C}$	$V_{RRM}$		600	V
Surge Peak Reverse Voltage	$V_{RSM}$		600	V
Maximum DC Forward Current	$I_F$	$T_C = 150^\circ\text{C}$	10	A
Non-Repetitive Forward Surge Current	$I_{FSM}$	$T_C = 25^\circ\text{C}$ , 8.3ms Half Sine Pulse	100	A
Non-Repetitive Peak Forward Current	$I_{F,max}$	$T_C = 25^\circ\text{C}$ , 10 $\mu\text{s}$	750	A
Power Dissipation	$P_{Tot}$	$T_C = 25^\circ\text{C}$	107	W
		$T_C = 150^\circ\text{C}$	17	
Maximum Junction Temperature	$T_{J,max}$		175	$^\circ\text{C}$
Operating and Storage Temperature	$T_j, T_{STG}$		-55 to 175	$^\circ\text{C}$

## Thermal Characteristics

Parameter	symbol	Component	Value			Units
			Min	Typ	Max	
Thermal Resistance	$R_{\theta JC}$	SiC Diode			1.6	$^\circ\text{C}/\text{W}$
Thermal Resistance	$R_{\theta JC}$	Si Diode			1.4	$^\circ\text{C}/\text{W}$

### Electrical Characteristics

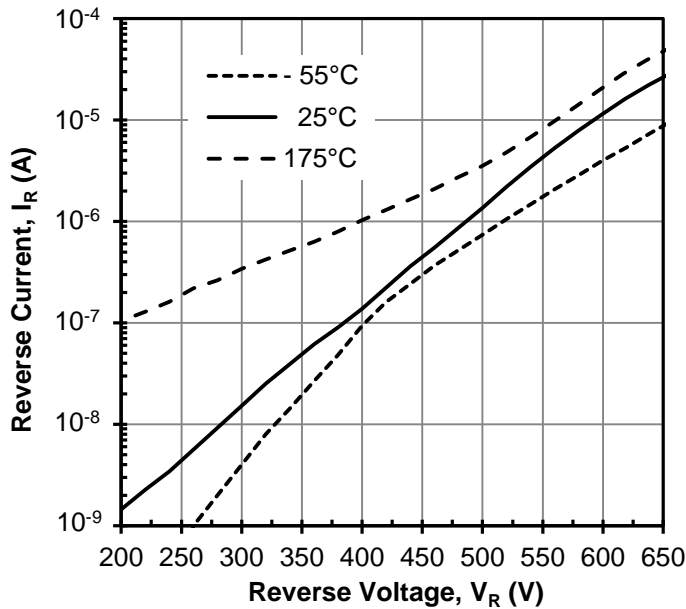
#### SiC Schottky Diode ( $T_J = +25^\circ\text{C}$ unless otherwise specified)

Parameter	Symbol	Test Conditions	Value			Units
			Min	Typ	Max	
Forward Voltage	$V_F$	$I_F = 10\text{A}, T_J = 25^\circ\text{C}$	-	1.5	1.7	V
		$I_F = 10\text{A}, T_J = 150^\circ\text{C}$	-	1.8	2.1	
		$I_F = 10\text{A}, T_J = 175^\circ\text{C}$	-	1.95	2.25	
Reverse Current	$I_R$	$V_R = 650\text{V}, T_J = 25^\circ\text{C}$	-	25	250	$\mu\text{A}$
		$V_R = 650\text{V}, T_J = 175^\circ\text{C}$	-	50	800	
Total Capacitive Charge	$Q_C$	$V_R = 400\text{V}, I_F = 10\text{A},$ $di/dt = 250\text{A}/\mu\text{s}$		16		nC
Total Capacitance	C	$V_R = 1\text{V}, f = 1\text{MHz}$		290		pF
		$V_R = 300\text{V}, f = 1\text{MHz}$		31		
		$V_R = 600\text{V}, f = 1\text{MHz}$		28		

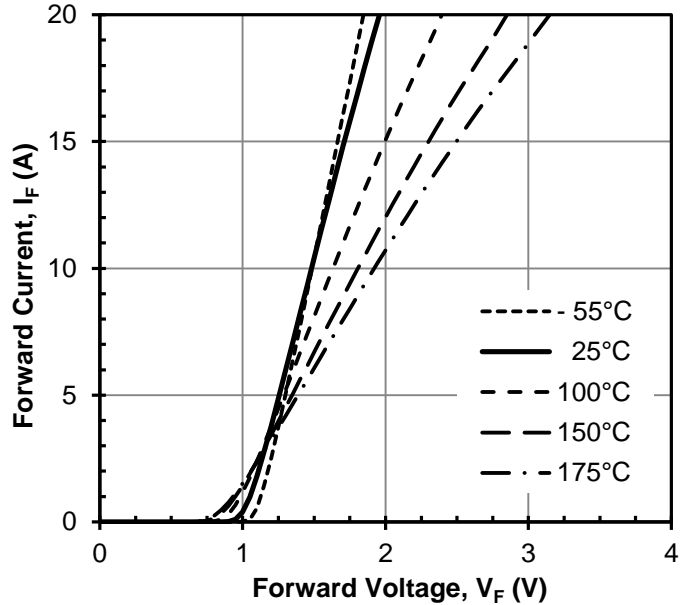
#### Si Diode ( $T_J = +25^\circ\text{C}$ unless otherwise specified)

Parameter	Symbol	Test Conditions	Value			Units
			Min	Typ	Max	
Forward Voltage	$V_F$	$I_F = 10\text{A}, T_J = 25^\circ\text{C}$	-	1.4	-	V
		$I_F = 10\text{A}, T_J = 150^\circ\text{C}$	-	1.16	1.38	
		$I_F = 10\text{A}, T_J = 175^\circ\text{C}$	-	1.12	1.34	
Reverse Current	$I_R$	$V_R = 600\text{V}, T_J = 25^\circ\text{C}$	-	-	10	$\mu\text{A}$
		$V_R = 600\text{V}, T_J = 150^\circ\text{C}$	-	-	250	
Reverse Recovery Time	$t_{rr}$	$V_R = 30\text{V}, I_F = 1\text{A},$ $di/dt = 50\text{A}/\mu\text{s},$ Ramp Recovery	-	-	75	ns
		$V_R = 30\text{V}, I_F = 1\text{A},$ $di/dt = 100\text{A}/\mu\text{s},$ Ramp Recovery	-	35	-	

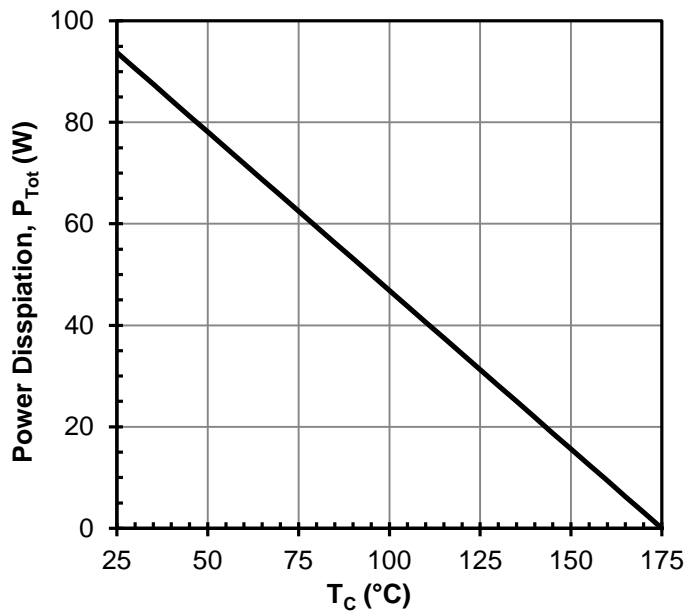
**Typical Performance**  
**SiC Schottky Diode**



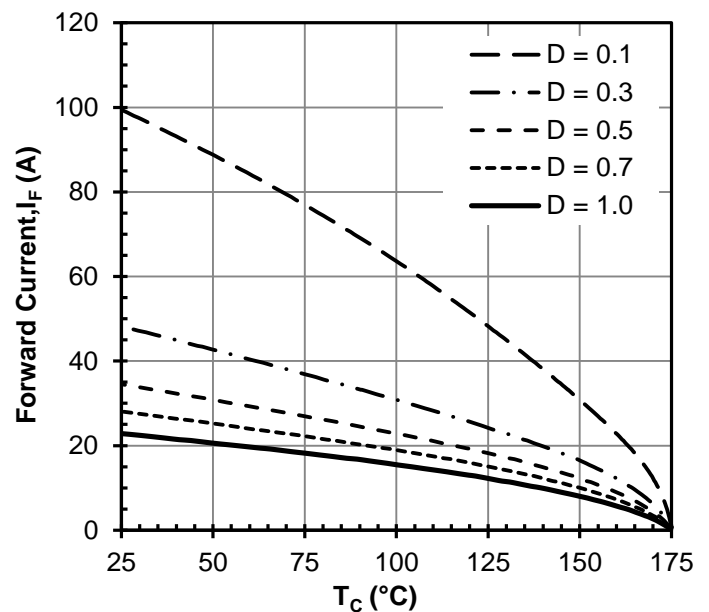
**Figure 1 Typical reverse characteristics**



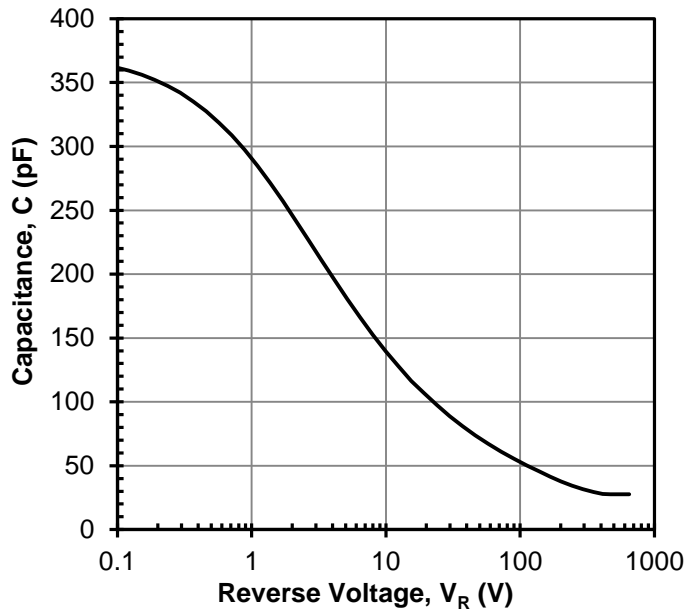
**Figure 2 Typical forward characteristics**



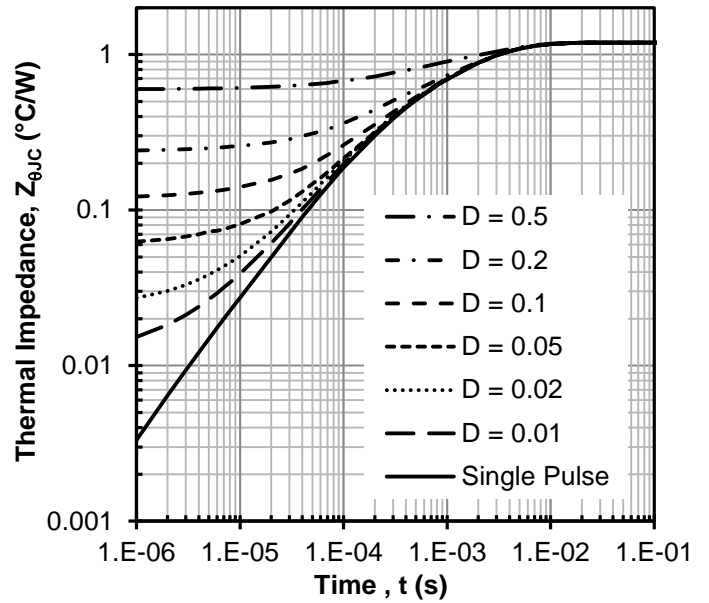
**Figure 3 Power dissipation**



**Figure 4 Diode forward current**

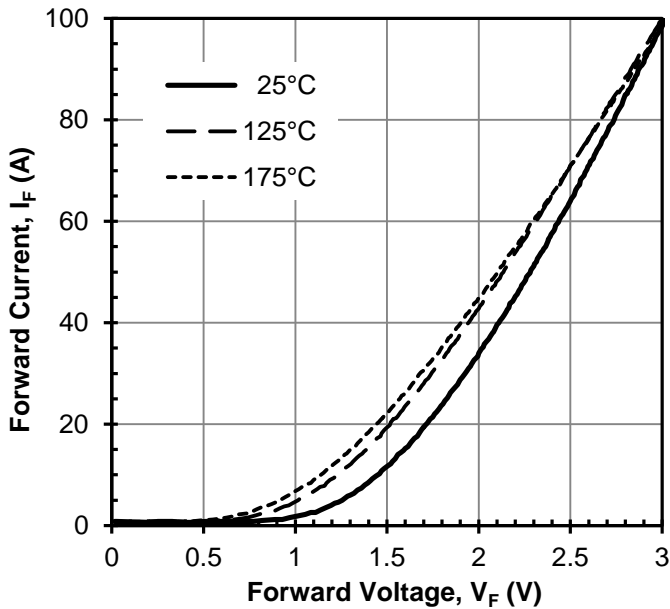


**Figure 5 Capacitance vs. reverse voltage**



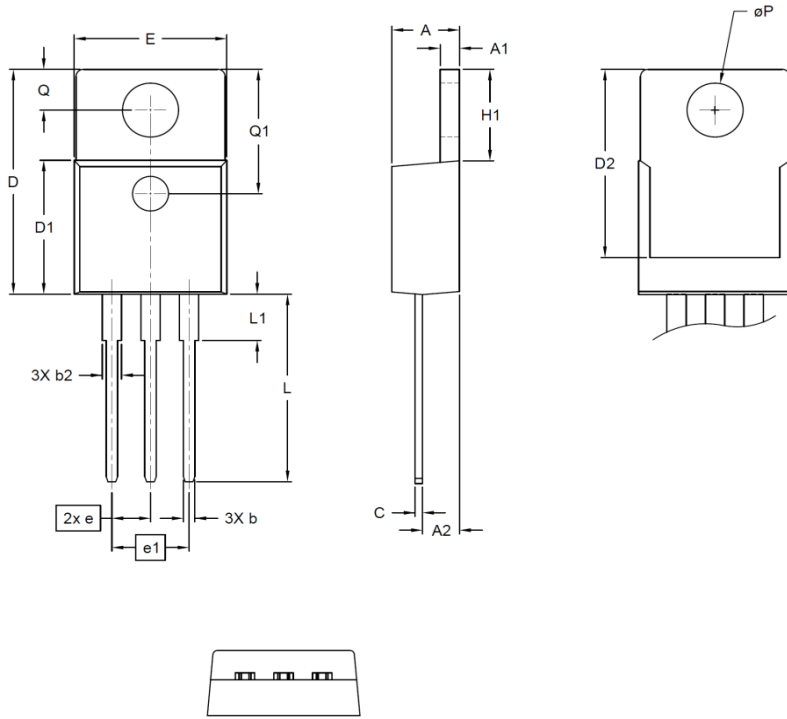
**Figure 6 Transient thermal impedance**

**Si Diode**



**Figure 7 Typical forward characteristics**

### Mechanical Characteristics



	INCH			MILLIMETER		
	MIN	NOM	MAX	MIN	NOM	MAX
A	.140	.175	.190	3.56	4.45	4.83
A1	.020	.050	.055	0.51	1.27	1.40
A2	.080	.096	.115	2.03	2.44	2.92
b	.015	.030	.040	0.38	7.62	1.02
b2	.040	.050	.070	1.02	1.27	1.78
C	.014	.019	.030	0.36	0.48	0.76
D	.560	.605	.650	14.22	15.37	16.51
D1	.330	.360	.370	8.38	9.14	9.40
D2	.480	.507	.517	12.19	12.88	13.13
E	.380	.386	.420	9.65	9.80	10.67
e	.100 BSC.			2.54 BSC.		
e1	.200 BSC.			5.08 BSC.		
L	.495	.505	.580	12.57	12.82	14.73
L1	----	.125	.250	----	3.18	6.35
øP	.139	.145	.161	3.53	3.68	4.09
H1	.230	.245	.270	5.84	6.22	6.86
Q	.100	.110	.135	2.54	2.79	3.43
Q1	.330	.335	.340	8.38	8.51	8.64

### Disclaimer

United Silicon Carbide, Inc. reserves the right to change or modify any of the products and their inherent physical and technical specifications without prior notice. United Silicon Carbide, Inc. assumes no responsibility or liability for any errors or inaccuracies within.

Information on all products and contained herein is intended for description only. No license, express or implied, to any intellectual property rights is granted within this document.

United Silicon Carbide, Inc. assumes no liability whatsoever relating to the choice, selection or use of the United Silicon Carbide, Inc. products and services described herein.