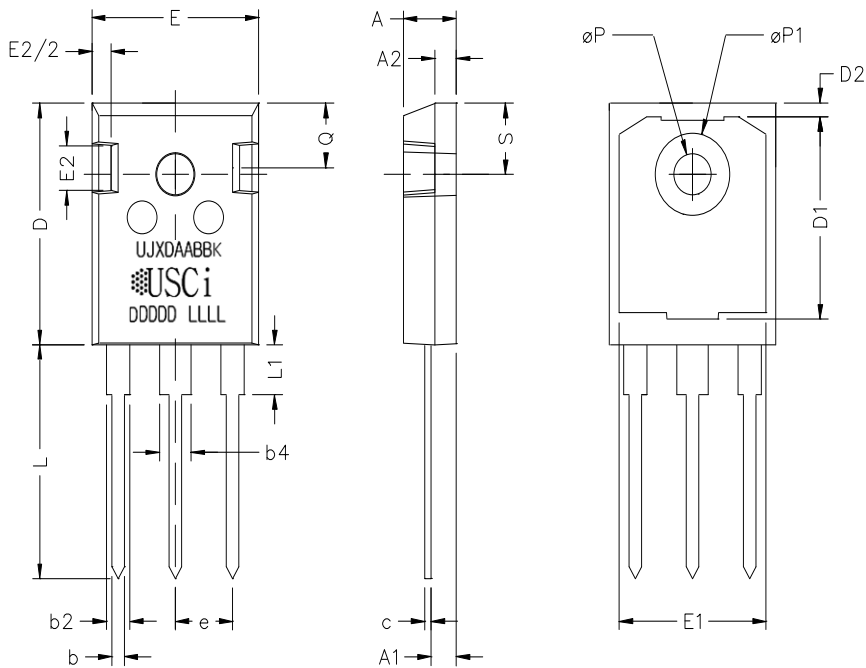


TO-247-3L OUTLINE



DIM	INCHES		MILLIMETERS	
	min	max	min	max
A	0.193	0.203	4.90	5.16
A1	0.090	0.100	2.29	2.54
A2	0.073	0.083	1.85	2.11
b	0.042	0.052	1.07	1.32
b2	0.075	0.094	1.91	2.39
b4	0.113	0.133	2.87	3.38
c	0.022	0.027	0.56	0.69
D	0.820	0.830	20.83	21.08
D1	0.684	0.696	17.37	17.68
D2	0.042	0.052	1.07	1.32
E	0.621	0.631	15.77	16.03
E1	0.547	0.557	13.89	14.15
E2	0.135	0.157	3.43	3.99
E2/2	0.081	0.095	2.06	2.41
e	0.215		5.46	
L	0.789	0.799	20.04	20.29
L1	0.164	0.176	4.17	4.47
øP	0.140	0.144	3.56	3.66
øP1	0.278	0.288	7.06	7.32
Q	0.216	0.226	5.49	5.74
S	0.238	0.248	6.05	6.30

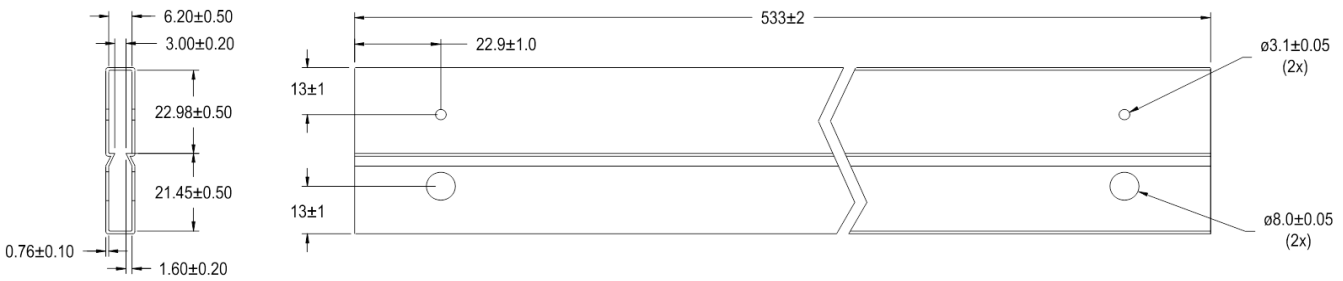
PART MARKING

UJXVVCK

 DDDDD LLLL

U =	USCI
J =	JFET
X =	N FOR NORMALLY ON
X =	F FOR NORMALLY OFF
VV =	VOLTAGE RATING
CC =	ON RESISTANCE RATING
K =	TO-247-3L
DDDDD =	ASSEMBLY AND DATE CODE
LLLL =	LOT CODE

TO-247 TUBE OUTLINE



ALL UNITS IN MILLIMETERS
 TOLERANCES +/-0.25mm UNLESS OTHERWISE SPECIFIED

30 units per tube

Disclaimer

United Silicon Carbide, Inc. reserves the right to change or modify any of the products and their inherent physical and technical specifications without prior notice. United Silicon Carbide, Inc. assumes no responsibility or liability for any errors or inaccuracies within.

United Silicon Carbide, Inc. assumes no liability whatsoever relating to the choice, selection or use of the United Silicon Carbide, Inc. products and services described herein.

Information on all products and contained herein is intended for description only. No license, express or implied, to any intellectual property rights is granted within this document.