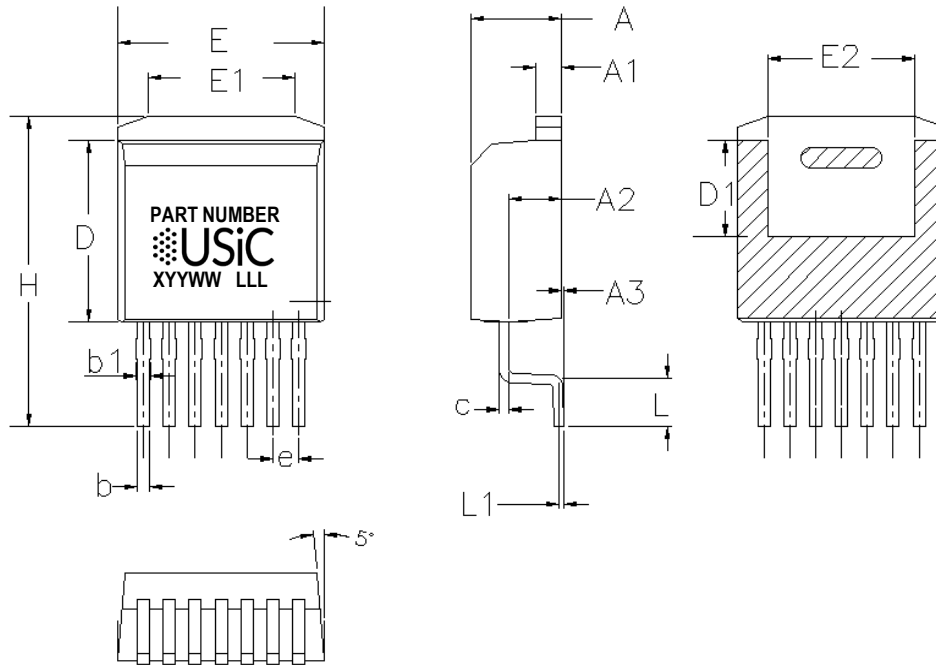


## PACKAGE OUTLINE



SYM	INCHES		MILLIMETERS	
	MIN	MAX	MIN	MAX
A	0.169	0.180	4.30	4.56
A1	0.047	0.055	1.20	1.40
A2	0.096	0.108	2.45	2.75
A3	0.000	0.010	0.00	0.25
b	0.020	0.028	0.50	0.70
b1	0.024	0.035	0.60	0.90
c	0.0197 BSC		0.500 BSC	
D	0.352	0.363	8.93	9.23
D1	0.183	0.195	4.65	4.95
e	0.0106 BSC		1.27 BSC	
E	0.397	0.405	10.08	10.28
E1	0.272	0.295	6.90	7.50
E2	0.269	0.300	6.82	7.62
H	0.591	0.630	15.00	16.00
L	0.07	0.10	1.90	2.50
L1	0.0098 BSC		0.250 BSC	

**PART MARKING**

**PART NUMBER**  
  
**XYWW LLL**

PART NUMBER = REFER TO  
DS\_PN DECODER FOR DETAILS

X = ASSEMBLY SITE

YY = YEAR

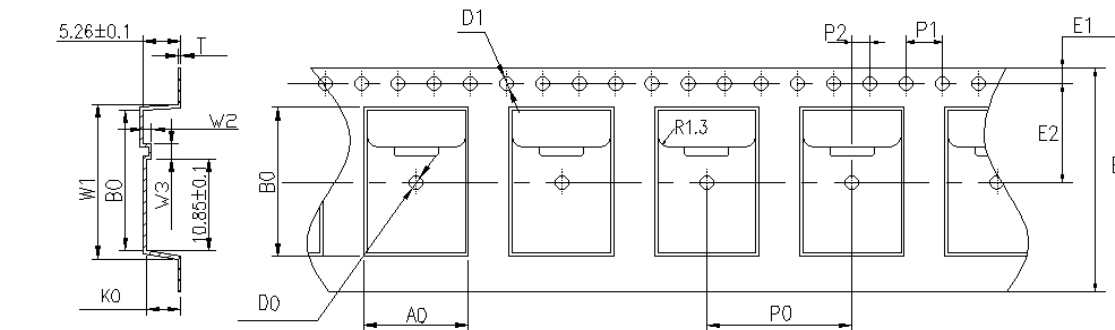
WW = WORK WEEK

LLL = LOT ID

**PACKING TYPE**

**ANTI-STATIC TAPE & REEL (T&R)**

**QUANTITY /REEL : 800 UNITS**

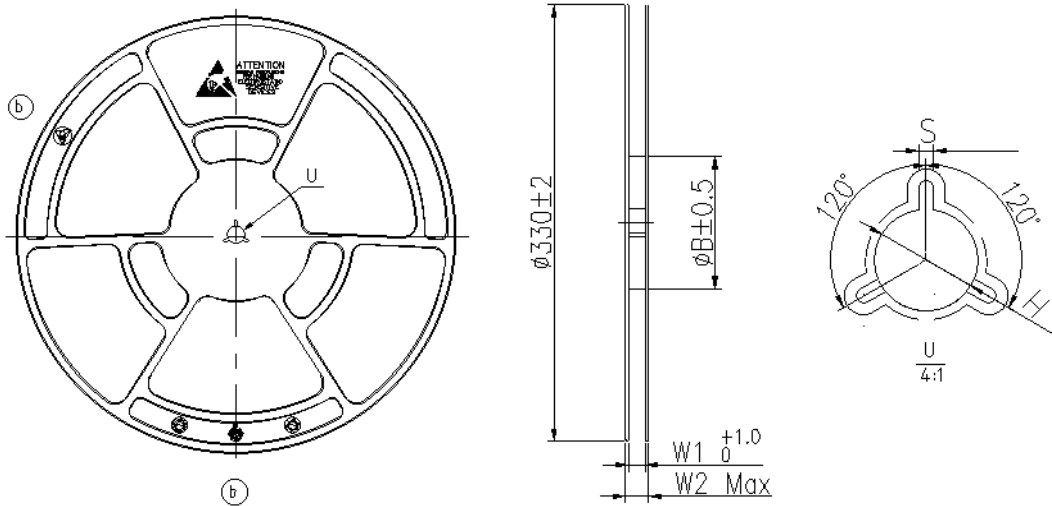
**CARRIER TAPE DRAWING**


UNIT: MM

PACKAGE	A0	B0	K0	D0	D1	E	E1	E2	P0	P1	P2	T
D2PAK (24 mm)	10.80 ±0.10	16.30 ±0.10	4.70 ±0.10	1.50 ±0.10	1.50 +0.1 -0	24.00 ±0.30	1.75 ±0.10	11.50 ±0.10	16.00 ±0.10	4.00 ±0.10	2.00 ±0.10	0.35 ±0.10

**NOTES**

1. 10 SPROCKET HOLE PITCH CUMULATIVE TOLERANCE±0.2mm;
2. MATERIAL: BLACK CONDUCTIVE POLYSTYRENE;
3. DIMENSIONS ARE IN mm (UNLESS OTHERWISE SPECIFIED);
4. SURFACE RESISTIVITY IS BETWEEN 1\*10E6 TO 1\*10E10 OHMS/SQUARE;

**PACKING TYPE**
**REEL DRAWING**


TAPE SIZE	REEL SIZE	S	H	W1	W2
D2PAK (24 mm)	$\phi 330^{+0.5}_{-0.2}$	$2.0^{+0.5}_{-0.2}$	$\phi 13.0^{+0.5}_{-0.2}$	$24.4^{+1.0}_0$	$30.4^{+1.0}_0$

**Notes**

1. Unfilled tolerance size  $\pm 0.5\text{mm}$ ;
2. Plastic parts are welded firmly and reliably;
3. Meet ROHS requirements and provide test reports.

**DISCLAIMER**

United Silicon Carbide, Inc. reserves the right to change or modify any of the products and their inherent physical and technical specifications without prior notice. United Silicon Carbide, Inc. assumes no responsibility or liability for any errors or inaccuracies within.

Information on all products and contained herein is intended for description only. No license, express or implied, to any intellectual property rights is granted within this document.

United Silicon Carbide, Inc. assumes no liability whatsoever relating to the choice, selection or use of the United Silicon Carbide, Inc. products and services described herein.