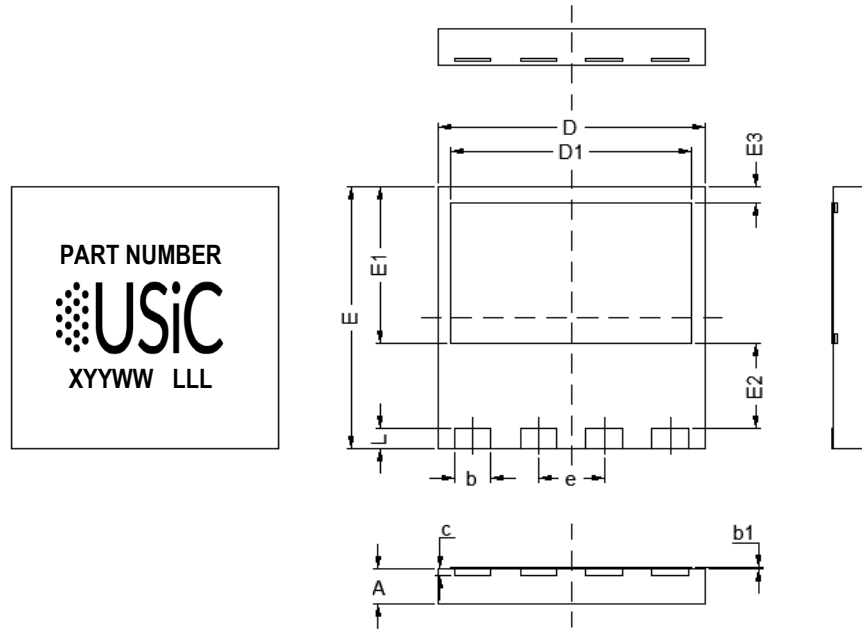


PACKAGE OUTLINE


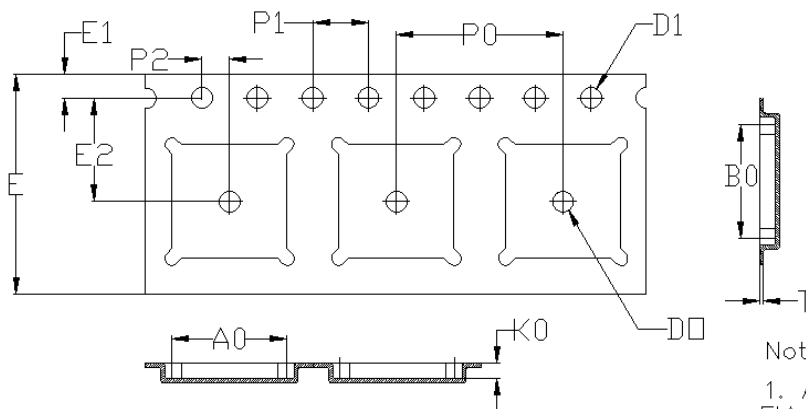
SYM	INCHES		MILLIMETERS	
	MIN	MAX	MIN	MAX
A	0.035	0.043	0.900	1.100
b	0.035	0.043	0.900	1.100
b1	0.000	0.002	0.000	0.050
c	0.0078 REF		0.20 REF	
D	0.311	0.319	7.90	8.10
D1	0.280	0.287	7.10	7.30
E	0.311	0.319	7.90	8.10
E1	0.183	0.191	4.65	4.85
E2	0.104	0.112	2.65	2.85
E3	0.012	0.020	0.30	0.50
e	0.0787 BSC		2.0 BSC	
L	0.016	0.024	0.4	0.6

PART MARKING
PART NUMBER

USiC
 XYYWW LLL

 PART NUMBER = REFER TO
 DS_PN DECODER FOR
 DETAILS

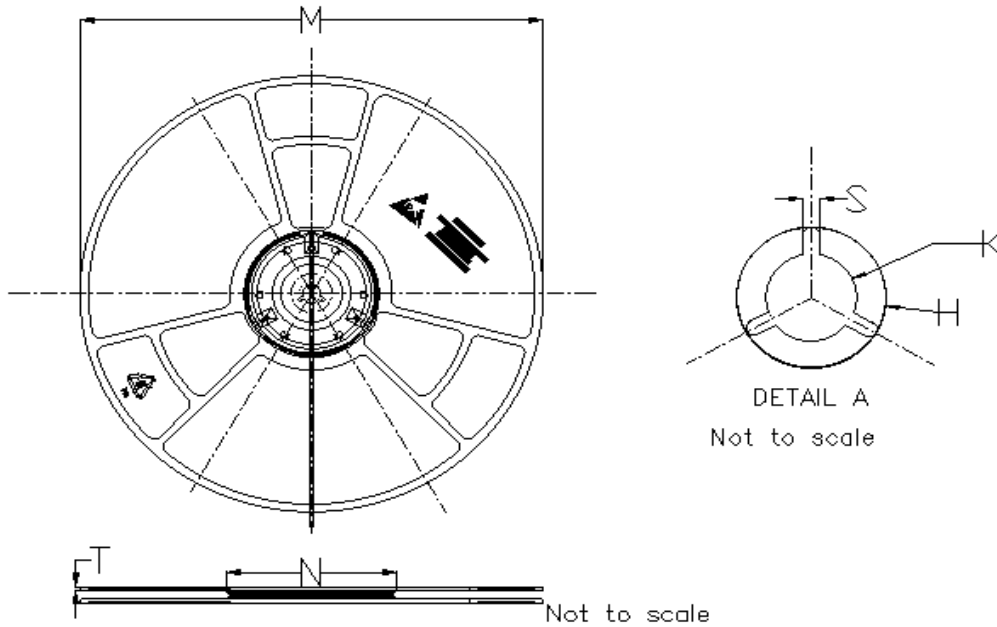
 X = ASSEMBLY SITE
 YY = YEAR
 WW = WORK WEEK

PACKING TYPE
ANTI-STATIC TAPE & REEL (T&R)
QUANTITY/REEL : 2500 UNITS
CARRIER TAPE DRAWING

 Notes:
 1. All dimensions meet
 EIA-481-D requirements.

UNIT: MM

PACKAGE	A0	B0	K0	D0	D1	E	E1	E2	P0	P1	P2	T
DFN 8X8 (24 mm)	8.30 ±0.10	8.30 ±0.10	1.15 ±0.10	1.50 ±0.10	1.50 +0.1 -0	24.00 ±0.30	1.75 ±0.10	7.50 ±0.10	12.00 ±0.10	4.00 ±0.10	2.00 ±0.10	0.30 ±0.05

REEL DRAWING



UNIT: MM

TAPE SIZE	REEL SIZE	M	N	T	H	K	S
24 mm	Ø330	Ø330.00 ±0.20	Ø102.00 ±0.10	2.0 ±2.0	Ø13.00 +0.50 -0.20	10.5 ±0.25	2.0 ±0.25

DISCLAIMER

United Silicon Carbide, Inc. reserves the right to change or modify any of the products and their inherent physical and technical specifications without prior notice. United Silicon Carbide, Inc. assumes no responsibility or liability for any errors or inaccuracies within.

Information on all products and contained herein is intended for description only. No license, express or implied, to any intellectual property rights is granted within this document.

United Silicon Carbide, Inc. assumes no liability whatsoever relating to the choice, selection or use of the United Silicon Carbide, Inc. products and services described herein.