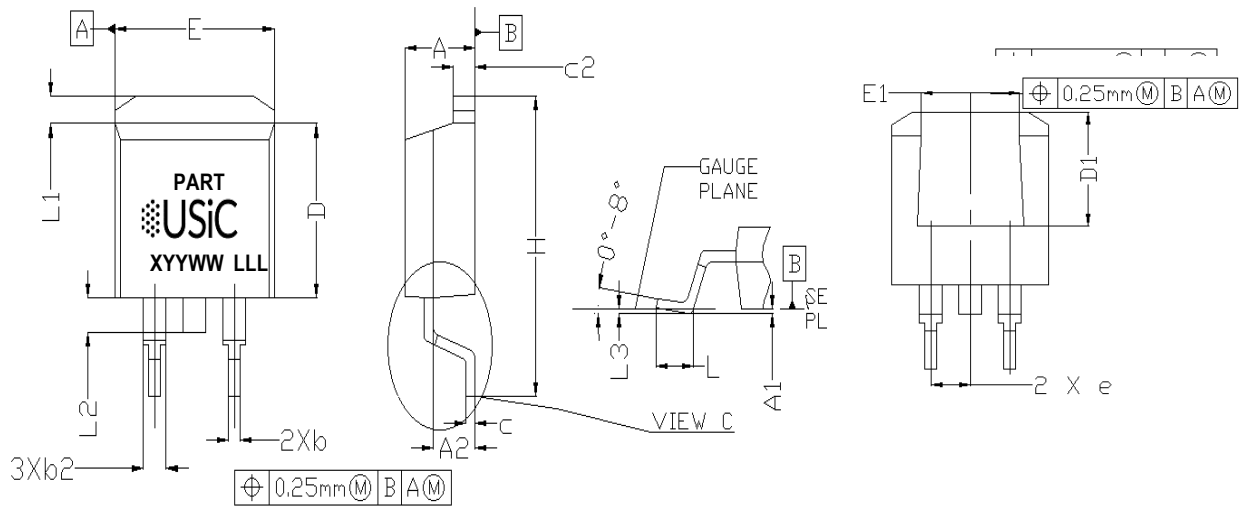
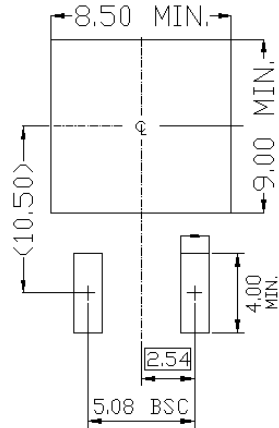


PACKAGE OUTLINE


SYM	INCHES		MILLIMETERS	
	MIN	MAX	MIN	MAX
A	0.160	0.190	4.064	4.826
A1	0.000	0.010	0.00	0.254
A2	0.087	0.114	2.20	2.8956
b	0.020	0.039	0.508	0.9906
b2	0.045	0.07	1.143	1.778
c	0.015	0.029	0.381	0.7366
c2	0.045	0.065	1.143	1.651
D	0.330	0.380	8.382	9.652
D1	0.270	0.330	6.858	8.37
e	0.100 BSC		2.54 BSC	
E	0.380	0.420	9.652	10.668
E1	0.245	0.330	6.223	8.37
H	0.575	0.625	14.605	15.875
L	0.070	0.110	1.778	2.794
L1	0.040	0.066	1.02	1.6764
L2	0.050	0.07	1.27	1.778
L3	0.010 BSC		0.25 BSC	

PCB LAND PATTERN

Notes:

1. PACKAGE BODY SIDES EXCLUDE MOLD FLASH AND GATE BURRS.
2. TOLERANCE 0.10MILLIMETERS UNLESS OTHERWISE SPECIFIED.
3. DIMENSION L IS MEASURED IN GAUGE LINE.
4. CONTROLLING DIMENSION IS MILLIMETER.
CONVERTED INCH DIMENSIONS ARE NOT NECESSARILY EXACT.
5. REFER TO JEDEC TO-263AB.

PART MARKING

PART NUMBER

XYYWW LLL

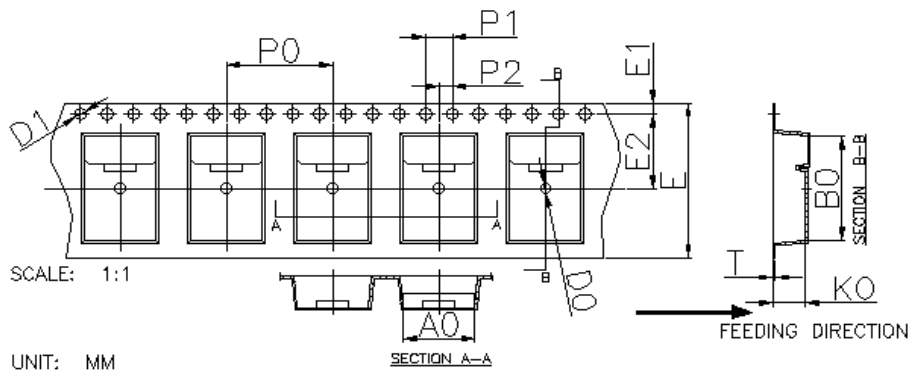
PART NUMBER = REFER TO
DS_PN DECODER FOR DETAILS

X = ASSEMBLY SITE
 YY = YEAR
 WW = WORK WEEK

PACKING TYPE

ANTI-STATIC TAPE & REEL (T&R)

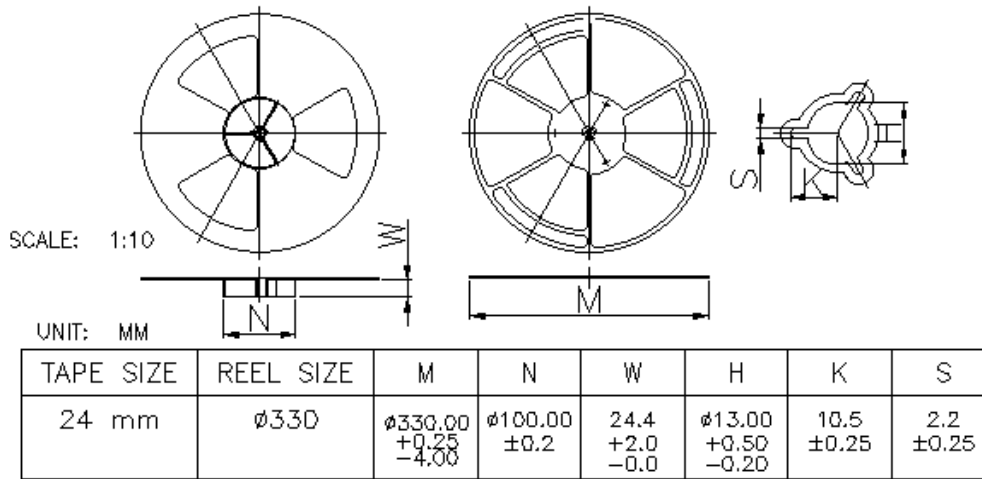
QUANTITY /REEL : 800 UNITS

CARRIER TAPE DRAWING


PACKAGE	A0	B0	K0	D0	D1	E	E1	E2	P0	P1	P2	T
D2PAK (24 mm)	10.80 ±0.10	16.30 ±0.10	4.70 ±0.10	1.50 ±0.10	1.50 ±0.1	24.00 ±0.30	1.75 ±0.10	11.50 ±0.10	16.00 ±0.10	4.00 ±0.10	2.00 ±0.10	0.35 ±0.10

NOTE:

- 1.Measured from centeline of sprocket hole to centeline of pocket.
- 2.Cumulative tolerance of 10 sprocket holes is ±0.20.
- 3.Camber not to exceed 2mm in 200mm

REEL DRAWING

DISCLAIMER

United Silicon Carbide, Inc. reserves the right to change or modify any of the products and their inherent physical and technical specifications without prior notice. United Silicon Carbide, Inc. assumes no responsibility or liability for any errors or inaccuracies within.

Information on all products and contained herein is intended for description only. No license, express or implied, to any intellectual property rights is granted within this document.

United Silicon Carbide, Inc. assumes no liability whatsoever relating to the choice, selection or use of the United Silicon Carbide, Inc. products and services described herein.