

5. Appendix

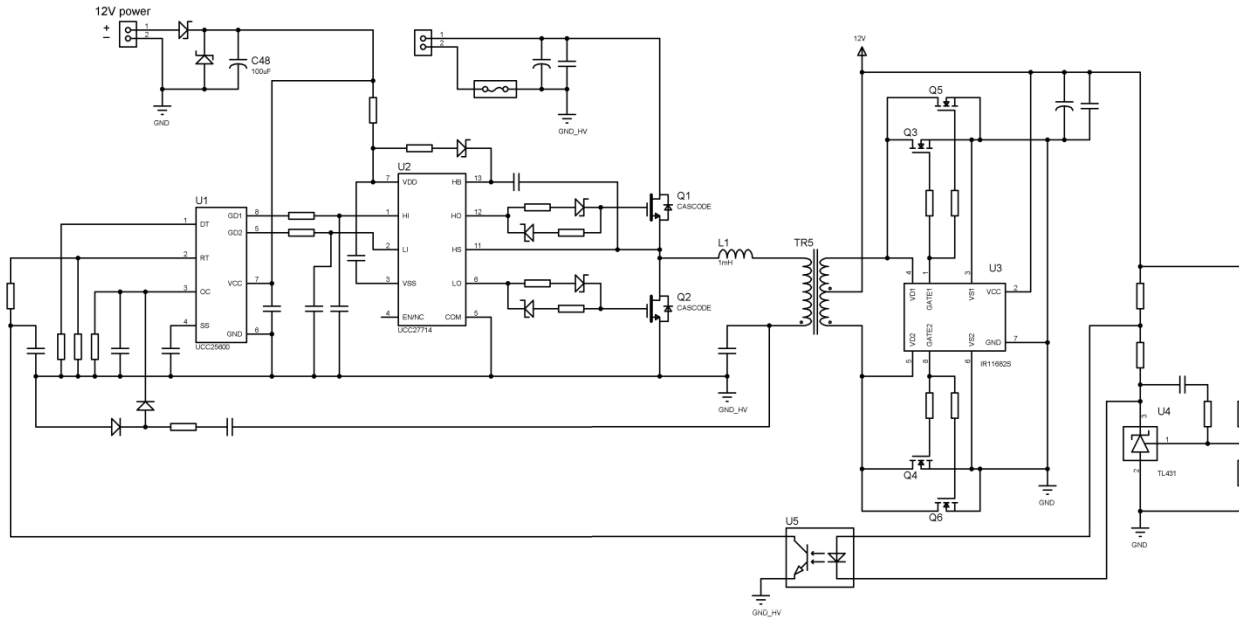


Figure 11: LLC test board schematic

6. References

- 1.) LLC resonant topology lowers switching losses, boosts efficiency, Carl Walding EE Times 8/28/2008
- 2.) https://en.wikipedia.org/wiki/Performance_per_watt
- 3.) https://en.wikipedia.org/wiki/80_Plus
- 4.) <http://www.ti.com/product/UCC25600>
- 5.) Designing an LLC Resonant Half-Bridge Power Converter, Hong Huang, TI Design Seminar SEM1900, Topic 3, SLUP263
- 6.) 600W Half Bridge LLC Evaluation Board with 600V CoolMOS C7, Alois, Francesco, Johnald, Franz
- 7.) Design Considerations for an LLC Resonant Converter, Hangseok Choi, Fairchild, Bucheon
- 8.) An Introduction of LLC Resonant Half Bridge Converter, ST Microelectronics, AN2644, September 2008